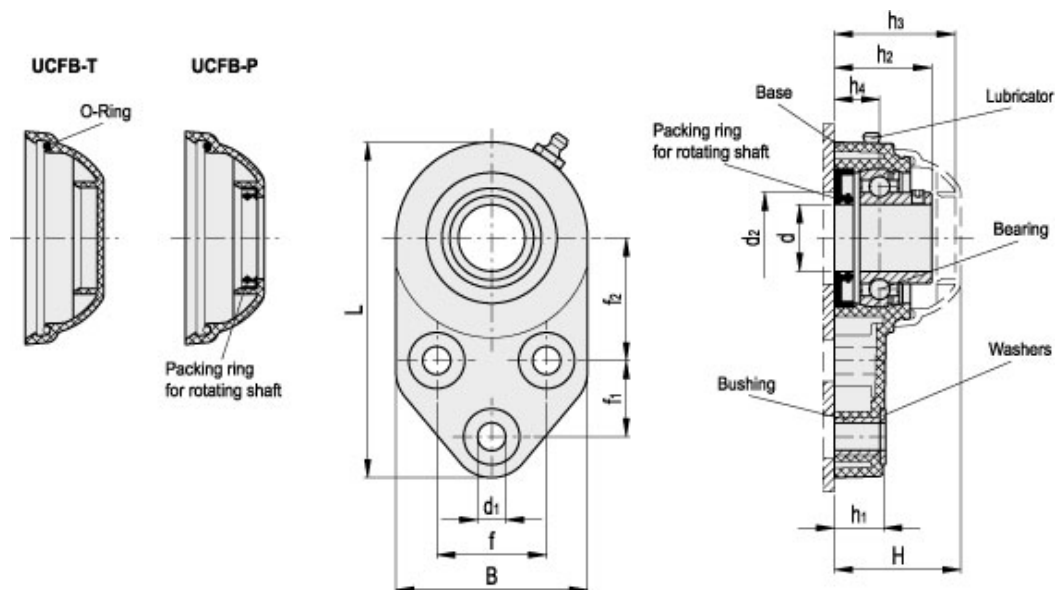


UCFB



Side flange self-aligning brackets



technical informations

Base

Glass-fibre reinforced polyamide based (PA) technopolymer, black colour, matte finish.

Bushings and washers

AISI 304 stainless steel.

Bearing

High quality with traceability codes. Chrome steel.

Lubricator

Nickel-plated brass.

Packing rings

NBR rubber.

Cap

Glass-fibre reinforced polypropylene based (PP) technopolymer, RAL 7015 grey colour, matte finish.
Closed cap for head bracket or for pass-through shafts.

Standard executions

- UCFB-T: head bracket with closed cap.
- UCFB-P: bracket for pass-through shaft with cap and NBR rubber packing ring for rotating shafts.

Features and applications

Overall dimensions are in compliance with ISO 3228.
A system of completely sealed packing rings assures the protection of the bearing from dirt ingress.
Max shaft misalignment = 2,5°.

Instructions of use

Assembly with shafts without end stops. For optimum operation, we recommend periodic lubrication with a common grease resistant to high temperatures and oxidation.

Special executions on request

- AISI 440C stainless steel bearing.
 - Bearing in inch sizes.
 - Brackets for shafts with diameters in different sizes.
 - Brackets in antibacterial material or in polypropylene based (PP) technopolymer, packing rings and oil seal type VITON®*.
- * Registered trademark by DuPont Dow Elastomers.

Standard Elements		Main dimensions														Bearing static load	Bearing dynamic load	Bracket load	Weight
Code	Description	d	d ₁	d ₂ min	d ₂ max	H	L	B	f	f ₁	f ₂	h ₁	h ₂	h ₃	h ₄	[N]	[N]	[N]	g
419554	UCFB.205-D-25-T	25	10.5	45	50	49.5	126	72	41.3	28.6	46	19	36.5	47	17	7000	14000	9000	353
419564	UCFB.206-D-30-T	30	10.5	50	60	55.7	142	85	47.6	32	52.4	26.3	41.7	53.2	20.7	11000	19000	11000	469
419534	UCFB.205-D-25-P	25	10.5	45	50	49.5	126	72	41.3	28.6	46	19	36.5	-	17	7000	14000	9000	359
419544	UCFB.206-D-30-P	30	10.5	50	60	55.7	142	85	47.6	32	52.4	26.3	41.7	-	20.7	11000	19000	11000	476



ELESA and GANTER models all rights reserved in accordance with the law. Always mention the source when reproducing our drawings.

STANDARD MACHINE ELEMENTS WORLDWIDE